

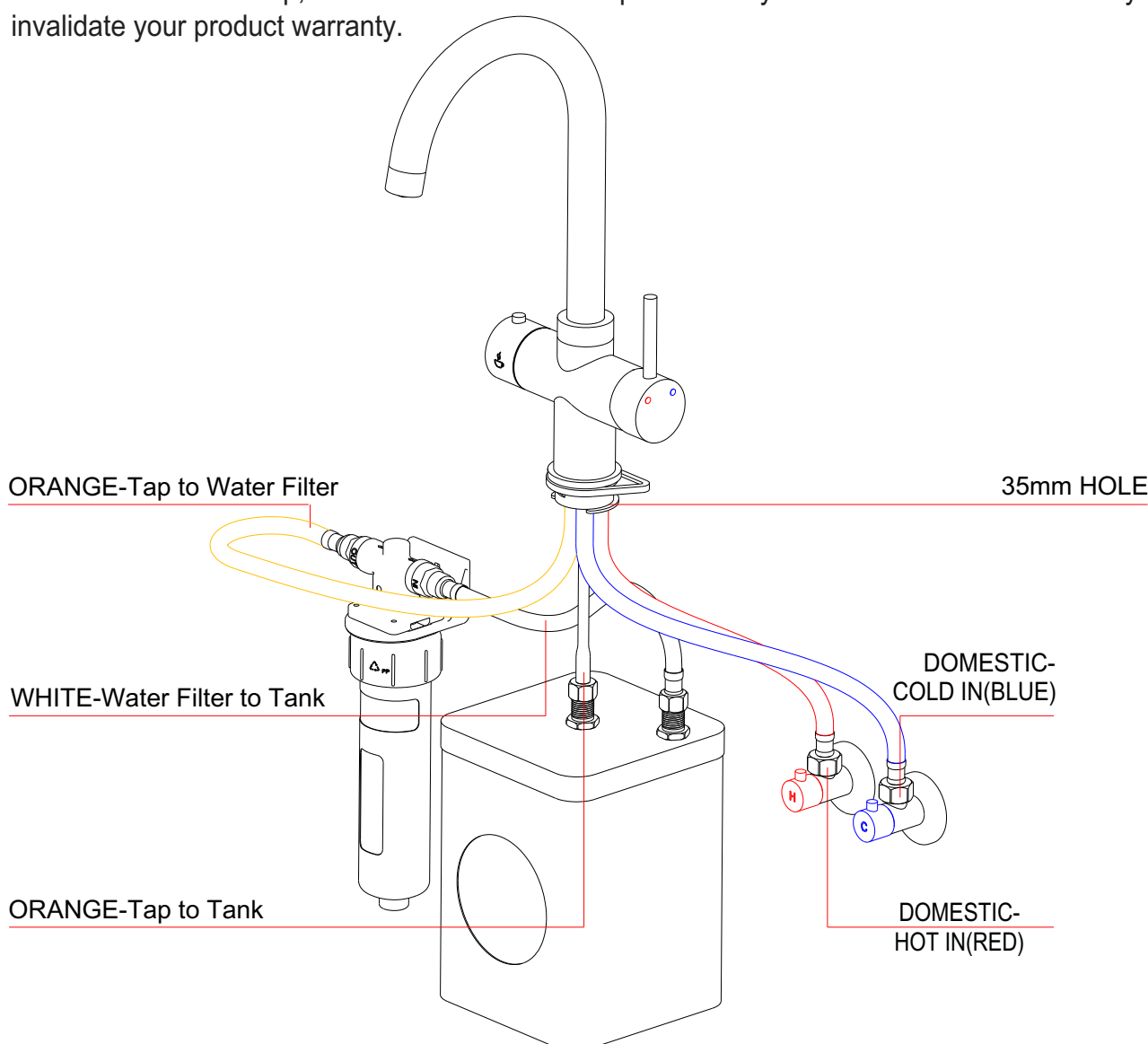


Installation & User Guide for 3 in 1 Sink Mixer Tap with Instant Hot Water



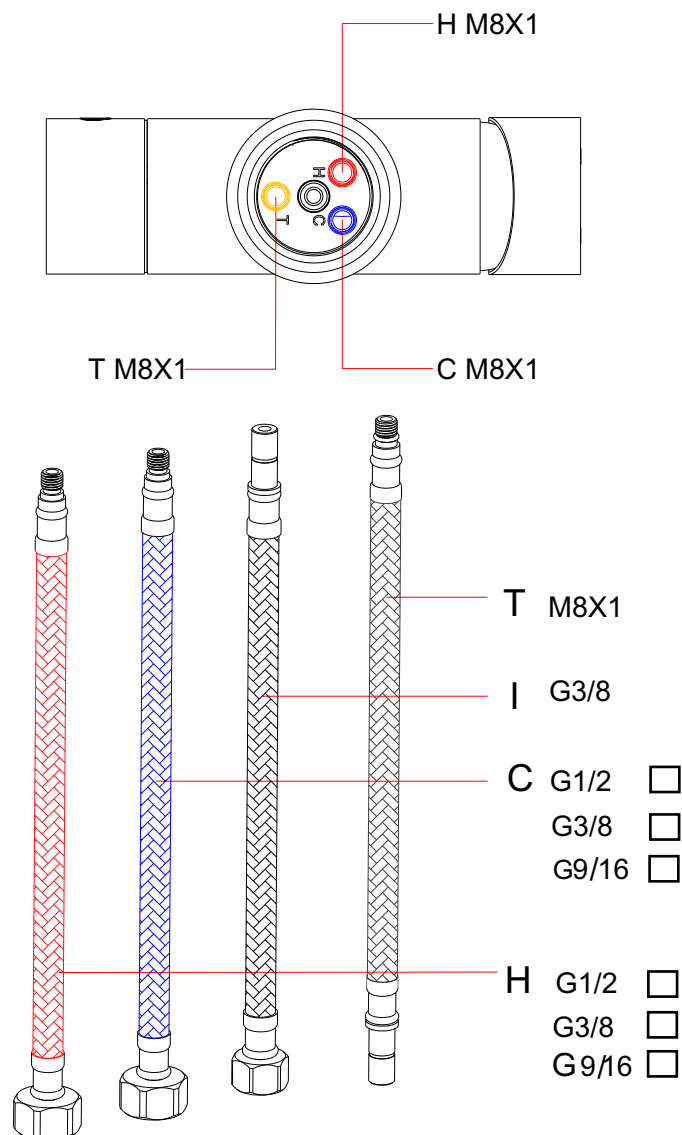
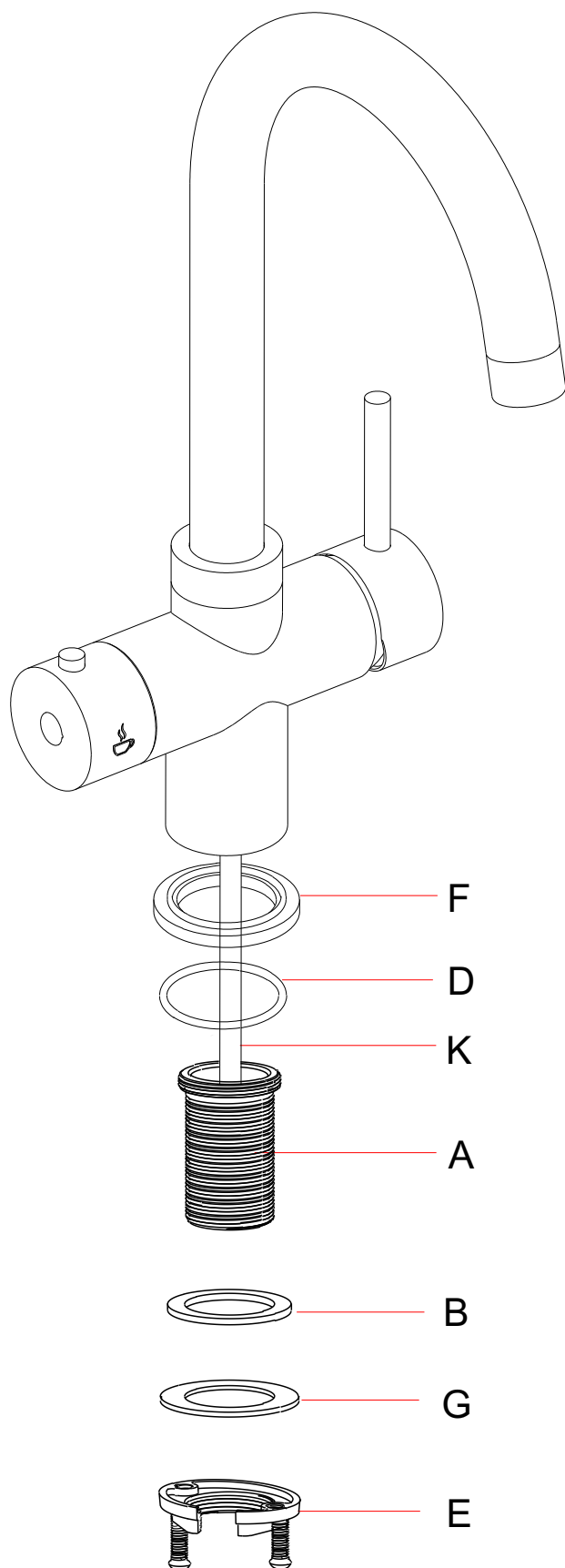


Congratulations on the purchase of your new 3 in 1 Sink Mixer Tap with Instant Hot Water. When correctly installed and maintained with care, this tap should give you many years of trouble free service. Please read and fully understand all installation instructions before starting to install and use this appliance. If in doubt contact a qualified plumber or retailer to assist. Please ensure that the recommended customer service. Instant Hot Water Tank is used with this tap. Do not plug in the Instant Hot Water Tank, until all water connections have been made and checked for being water tight and the Instant Hot Water Tank must be Filled with water. The Instant Hot Water Tank is Filled once water starts to pass out of the tap spout. It is recommended before using the tank, to flush through several litres of water to remove any air in the system when installing. Please note that in order to avoid having pressurised boiling water and to comply with UK Byelaws, this is an open vented system. In order to ensure the Instant Hot Water Tank continues to deliver the highest quality drinking water and is protected from lime scale build-up, the water filter must be replaced every 6 months-failure to do so may invalidate your product warranty.



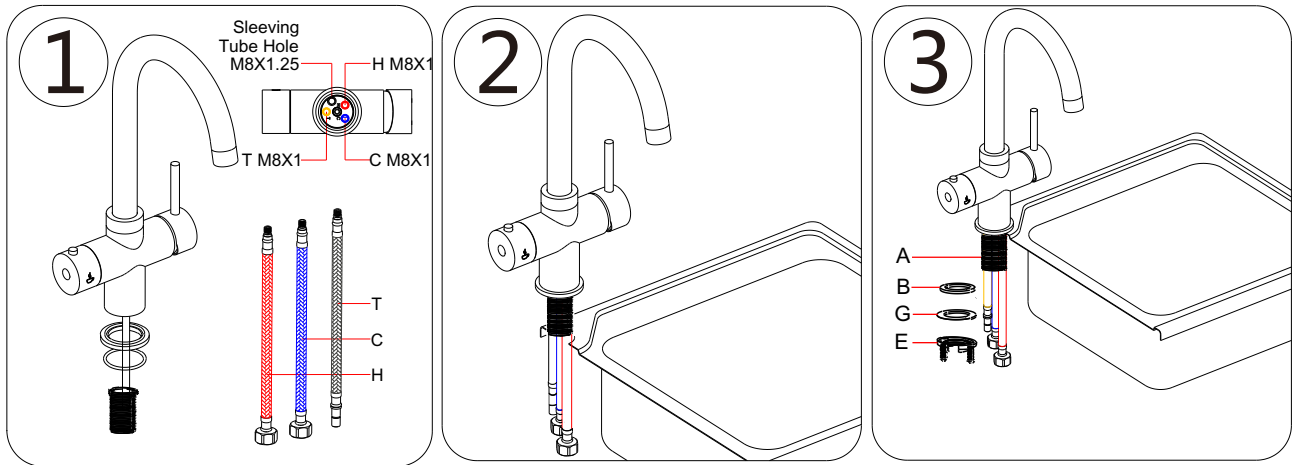
Should you require any advice on the installation then please seek guidance from y
Qualified Plumber.

our Retailer or a

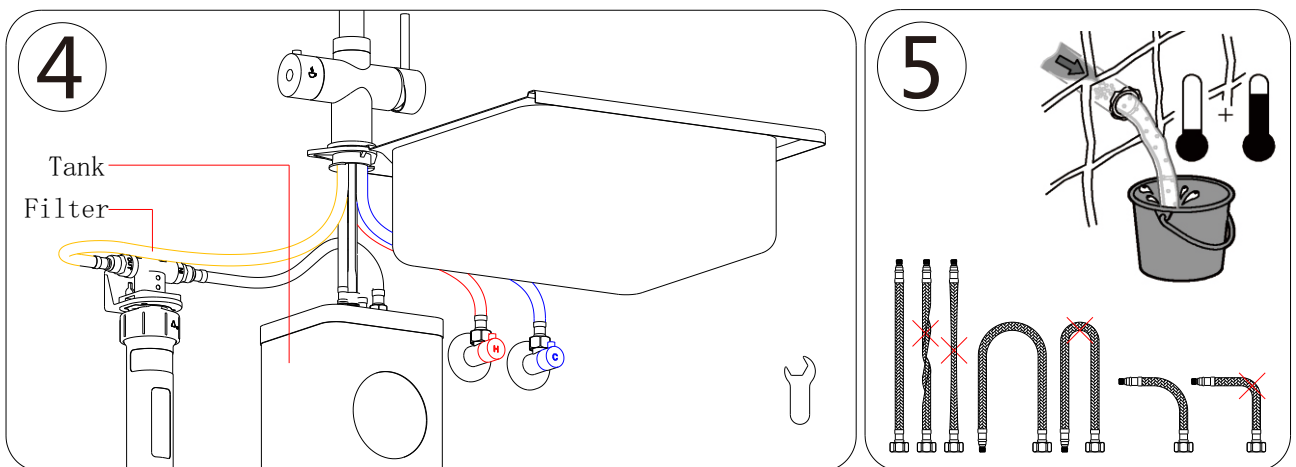


BOM :

- F). Seat Base
- D). Base O-Ring
- K). Silicon Tube
- A). Tap Cylinder
- B). Rubber Washer
- G). Metal Washer
- E). Mounting Nut



- 1) Fit Seat base (F) and Base O-ring (D) into the underneath of tap
- 2) Put pipe(T), Hot and Cold flex pipe into sleeving tube
- 3) Assemble pipes into the underneath of tap as marks:
Blue pipe to C, Red pipe to H, orange labelled pipe to Position "T"; See dia 1
- 4) Screw Tap Cylinder (A) into tap body
- 5) Feed tap into the 35mm diameter hole, See dia 2
- 6) Slide the rubber washer (B), Metal washer (G) into the tap cylinder, then the mounting nut (E) over the hoses into the tap cylinder, to fix tap on the sink or work surface



How to use your 3-1 Sink Mixer Tap with Instant Hot Water:

(I) For Instant Hot Water depress the small button on left hand side of the tap. Keep the button pressed down and rotate the handle forwards to dispense instant hot water from the tap.

(ii) For mixed water, pull large lever on right side away from the body, then rotate backwards for mains hot & forwards for mains cold water dispensing.

Regulations Requirements :

It is important to ensure that the water supplies to your tap, is connected in accordance with the water regulation requirements, plumbing code and good plumbing practice.

It is good plumbing practice that the supplies of hot and cold water to the tap are equal (balanced) pressure in order to provide a consistent flow. Water Supplies should be from a common source, either mains or tank fed. If supplies are not equal pressures then a Non Return Valve (Check Valve) should be fitted on the hot inlet.

Water Supply Pressures :

This tap has been designed to function under the following conditions.

- Minimum supply pressure for cold water is 1.5 bar-M aximum supply pressure 5 bar (although we only recommend a Maximum supply pressure of 2.5 bar)
- Should excessive pressure be experienced, then it is recommended to install a Pressure Reducing Valve.

Important:

Care and Maintenance of the Tap:

Only clean the tap with a soft cloth, warm water and a mild detergent solution. Rinse the tap clean thoroughly afterwards with water. Do not use any abrasive or harsh chemical products; otherwise this will invalidate your guarantee.

These instructions are only intended as a guide, if there is any doubt then contact a certified plumber or service agent and avoid using the Instant Hot Water System until it has been checked.

Servicing information: